

Instruction Manual for SX-A, SX-B Series Biological Microscopes

Please read the booklet before using the microscope.

Address and Contact:

Contents:

I, Applications

II, Names of the parts and accessories

III, Major technical index

IV, How to use

V, Lamp and fuse replacement

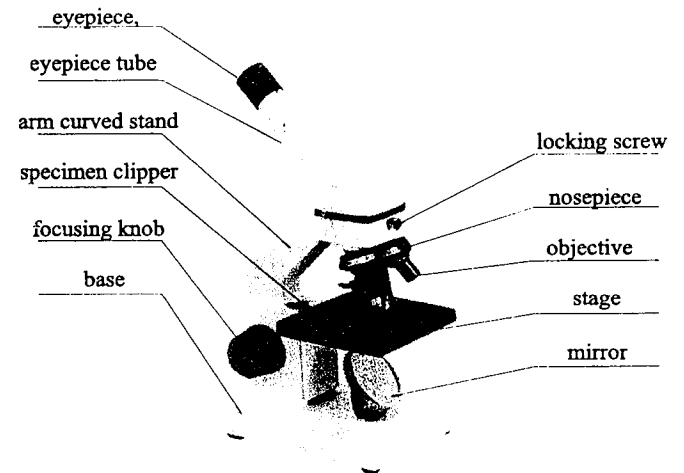
VI, Maintenance and general care of your microscope

VII, Optional accessories

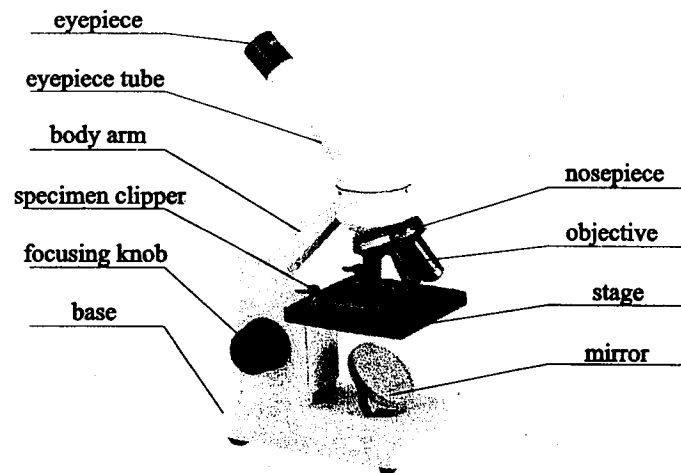
Applications:

SX-A and SX-B series microscopes are widely used in the fields of medicine education for biological observation teaching and professional research.

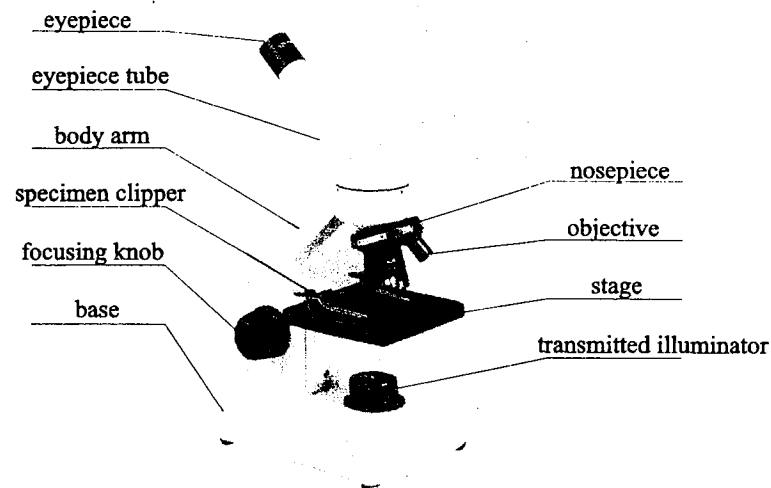
Names of the parts, components and accessories:



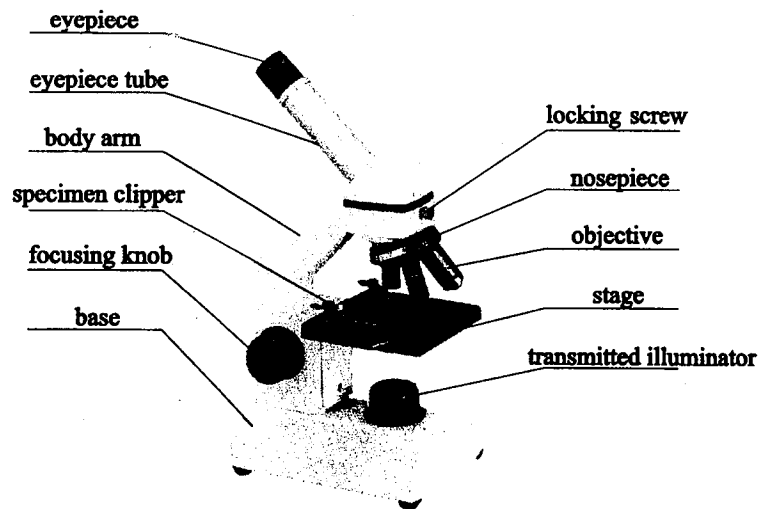
SX-A



SX-B



SX-BL



SX-AL

Main technical index:

1), Optical index(mm)

Objective: optical length is 173mm(Table omitted)

2), electric index:

Input Voltage: 220V/50Hz or 110V/60Hz(Optional)

Illuminating style:

1) natural light. One side of the mirror is flat and the other is concave.

2) transmitted illumination: The transmitted illuminator is 110V/15W or 220V/15W.

The above two ways of illumination is optional.

3), structure index:

45° slanting monocular and binocular head is optional. There are two positions for observation of SX-A. The head of SX-B series is 360° rotatable.

4), How to operate:

1), environment requirement: to be used in dry and dust-free places. Room

temperature should be between -5 - $+40^{\circ}\text{C}$

2) Illuminator control:

Natural light: Use the microscope in a place with natural light. Rotate the mirror and face it to the light. Meanwhile look through the eyepiece. When you see the bright light coming through stop turning the mirror.

Transmitted light: Plug in the power cord and switch on the illumination. On the condition of the above two choices light dimmer can be used to control the brightness of illumination.

3), Placement of specimen:

Place the specimen right in the middle of the stage use clippers if necessary.

4), Focusing, change of the objective powers:

Place the specimen on the center of the stage and use clippers if necessary. Turn the nosepiece to 4X and look through the eyepiece to find the image. Adjust the specimen location until the image appears right in the middle. Then you can use 10X, 40X objectives. Turn the focusing knob gently until the image is clear enough.

5, Replacement of lamp and fuse:

Warning: Disconnect the power line and let the bulbs cool down before you change the lamp.

1, Replacement of the transmitted lamp:

Loosen the fixing screw of the bottom plate and take off the broken bulb. Replace the bulb with a same new bulb. Fix the bottom plate with the same screws..

2, Replacement of fuse:

Unscrew the fixing screws of the bottom plate and replace the fuse with a new one.

6, Maintenance and general care of your microscope:

1, Microscope is a delicate precision instrument and it may be damaged by dropping and hitting.

2, Do not keep microscope under sun. It should be kept in a dry and clean environment and avoid heat and strong tremor.

3, To obtain clear image, do not touch lenses with your finger.

4, All lens surface should be kept clean. If the lens get dusty blow off the dust with a rubber syringe. If necessary clean the lenses with a lint free cloth dipped in aether.

5, Do not use any organic material to clean the microscope surface, especially the plastic surface. It should be cleaned by neutral detergent.

6, Because the assembly of all parts has been done by skilled optical craftsmen at the factory, you should never attempt disassembly.

7, Apply a little bit grease regularly to the mechanical parts.

8, When not in use always cover the microscope with the dust cover and place it in a cool and dry place.

7, Optional parts:

1, eyepieces: 12.5X, 16X, 25X

2, 10X-14X double power eyepiece tube: Screw off the eyepiece tube and screw on the double-power eyepiece tube.

3, mechanical stage: for stabilizing and the movement of the specimen. The stage should be ordered.

4, hexagon illumination: For SX-A series, take off the mirror and install the hexagon illumination.

5, specimen samples and dissecting tools